



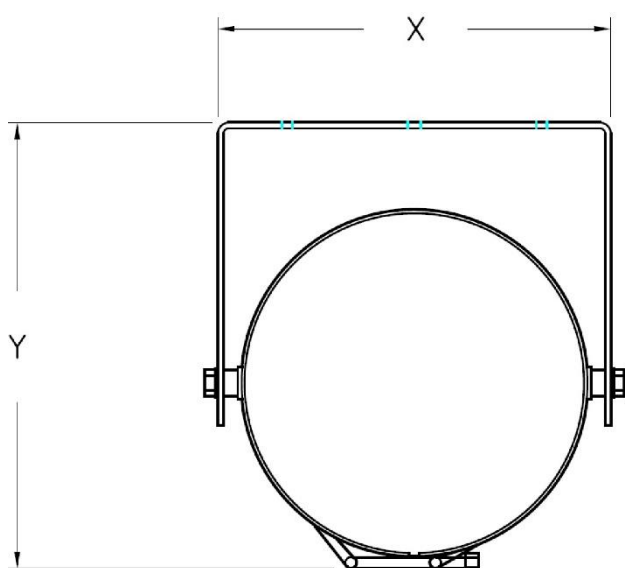
Generator bracket

Stat-X® bracket

Stat-X aerosol generators are listed for both sidewall and ceiling locations and may be mounted on walls, beams, constructions, and columns, as long as the unit is securely bolted to the support structure. Position the mounting bracket, and securely fasten it on a location and manner, which ensures the generator will not be subjected to accidental damage or movement. Securely attach a generator into the mounting bracket with generator clamps taking care to ensure the clamps are free of the initiator mechanism. The aerosol generator should be angled towards the floor at an angle to ensure three-dimensional distribution of aerosol and an unobstructed discharge path.



Article code	Description	Diameter Ø	Weight	X dimension	Y dimension
KG/18002	Bracket 30/60SS	2" / 51mm	0,12 kg		
KG/18005	Bracket 100/250ME/250MT	3" / 76mm	0,27 kg	102,4 mm	103,1 mm
KG/18010	Bracket 250/500/1000MT	5" / 127mm	0,562 kg	158,8 mm	185,4 mm
KG/18015	Bracket 1000/1500/2500	8" / 203mm	1,05 kg	235,5 mm	268,7 mm
KG/18006	Bracket 100/250ME/250MT Heavy duty	3" / 76mm	0,348 kg	102,4 mm	103,1 mm
KG/18011	Bracket 250/500 /1000MT Heavy duty	5" / 127mm	0,825 kg	158,8 mm	185,4 mm
KG/18016	Bracket 1000/1500/2500 Heavy duty	8" / 203mm	1,84 kg	235,5 mm	268,7 mm



Our products are constantly being improved, specifications can change without notice
 K & G Groep B.V. Spoordijkhof 1 4944 AZ Raamsdonk Netherlands