



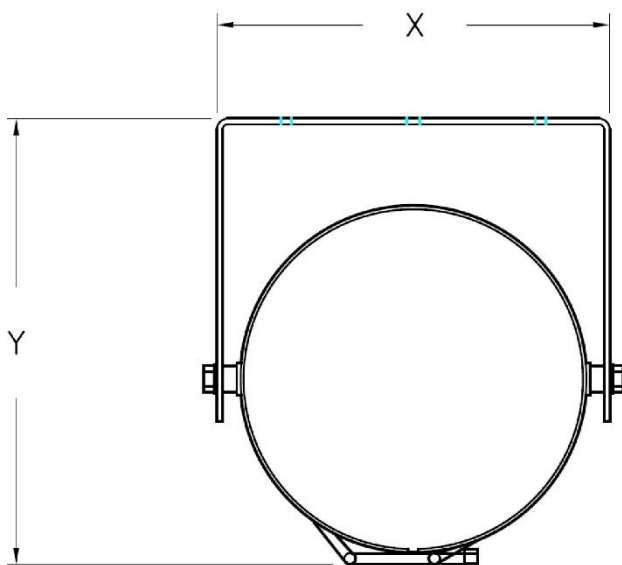
## Maritime generator brackets

### Stat-X® bracket

Stat-X aerosol generators are listed for both sidewall and ceiling locations and may be mounted on walls, beams, constructions, and columns, as long as the unit is securely bolted to the support structure. Position the mounting bracket, and securely fasten it on a location and manner, which ensures the generator will not be subjected to accidental damage or movement. Securely attach a generator into the mounting bracket with generator clamps taking care to ensure the clamps are free of the initiator mechanism. The aerosol generator should be angled towards the floor at an angle to ensure three-dimensional distribution of aerosol and an unobstructed discharge path.



Article code	Description	Diameter Ø	Weight	X dimension	Y dimension
<b>KG/18011</b>	Bracket 250/500 /1000MT Heavy duty	5" / 127mm	0,825 kg	158,8 mm	185,4 mm
<b>KG/18016</b>	Bracket 1000/1500/2500 Heavy duty	8" / 203mm	1,84 kg	235,5 mm	268,7 mm



**KG/18011**



**KG/18016**